



OWNER'S MANUAL & WARRANTY

DECO 900 SERIES FOOD SHIELDS

LIGHTS & WARMERS

Contents	2	DECO 902 Assembly Instructions	7
Introduction	2	End Panels	8
Important Owner Information	2	Above-Counter Installation Options	9
Safety Precautions	3	Under-Counter Installation Options	10
Receiving and Inspecting the Equipment	3		
 <i>DECO 900 Series Food Shields</i>			
Models	3	<i>LIGHTS & WARMERS</i>	
Basic Components and Layout	4	Receiving & Inspecting the Equipment	13
DECO Bracket	4	Models	13
Bracket Assembly & Parts.....	5	Cleaning Instructions	14
Bracket Adjustment	6	Identifying Your Product	14
Cleaning Instructions.....	6	Changing the LED Bulb	14
Glass Limitations & Testing	6	Heating Elements	15
		Parts & Service	15
		Wiring Installations	16
		Wiring Diagrams	17
		Sample Layouts	18
		Warranty	19

The BSI, LLC manual is an important part of your equipment. This document should be stored in a safe location, as it will be useful for the life of your product. It contains important safety information concerning the maintenance, operation and servicing of these products.

Failure to properly use this manual may result in serious injury. Do not operate this equipment unless you have read and understood the contents of this manual.

IMPORTANT OWNER INFORMATION

Record the model number(s) of your DECO food shield and serial number(s), of your warming units to use as a reference when contacting your local representative or the BSI headquarters in Colorado.

Model No.:	
Serial No.:	
Model No.:	
Serial No.:	
Date of Purchase:	
Other:	

BSI, LLC
 Business Hours: 8:00 a.m. to 4:30 p.m.
 Mountain Time
 Telephone: (800) 662-9595; (303) 331-8777
 Fax: (303) 331-8444
 Web Address: www.BSIdesigns.com

SAFETY PRECAUTIONS



The DECO 900 Series Food Shield must be installed in accordance with the applicable installation code by a person familiar with the construction and operation of the product and the hazards involved.

RECEIVING AND INSPECTING THE EQUIPMENT

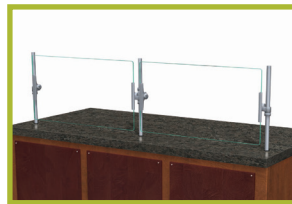
Even though most equipment is shipped crated, care should be taken during unloading so the equipment is not damaged while being moved into your facility.

1. Visually inspect the exterior of the package and skid or container. Any damage should be noted and reported to the delivering carrier immediately.
2. If damaged, open and inspect the contents with the carrier.
3. In the event that the exterior is not damaged, yet, upon opening, there is concealed damage to the equipment, notify the carrier. Notification should be made verbally as well as in written form.
4. Request an inspection by the shipping company of the damaged equipment. This should be done within 10 days from receipt of the equipment.
5. Be sure to check that there is no broken glass.
6. Be sure to check that all materials are received.
7. Freight carriers can supply the necessary damage forms upon request.
8. Retain all crating materials until an inspection has been made or waived.
9. All DECO packages contain drawings for your installer.
10. All DECO packages contain this Owner's Manual and Warranty.

DECO 900 SERIES MODELS

DECO 900 Series food shields are manufactured in many different configurations. While the components are all similar, your model's glass may not be. Glass thickness may be different. The models shown below should be maintained in the same manner based on the instructions within this manual.

If you have questions regarding a DECO model not listed please contact BSI, LLC at 1.800.662.8777.



DECO-900



DECO-901



DECO-902



DECO-932



DECO-935



DECO-950



DECO-953



DECO-965



DECO-970

All DECO models are certified by NSF.



BASIC COMPONENTS & LAYOUT

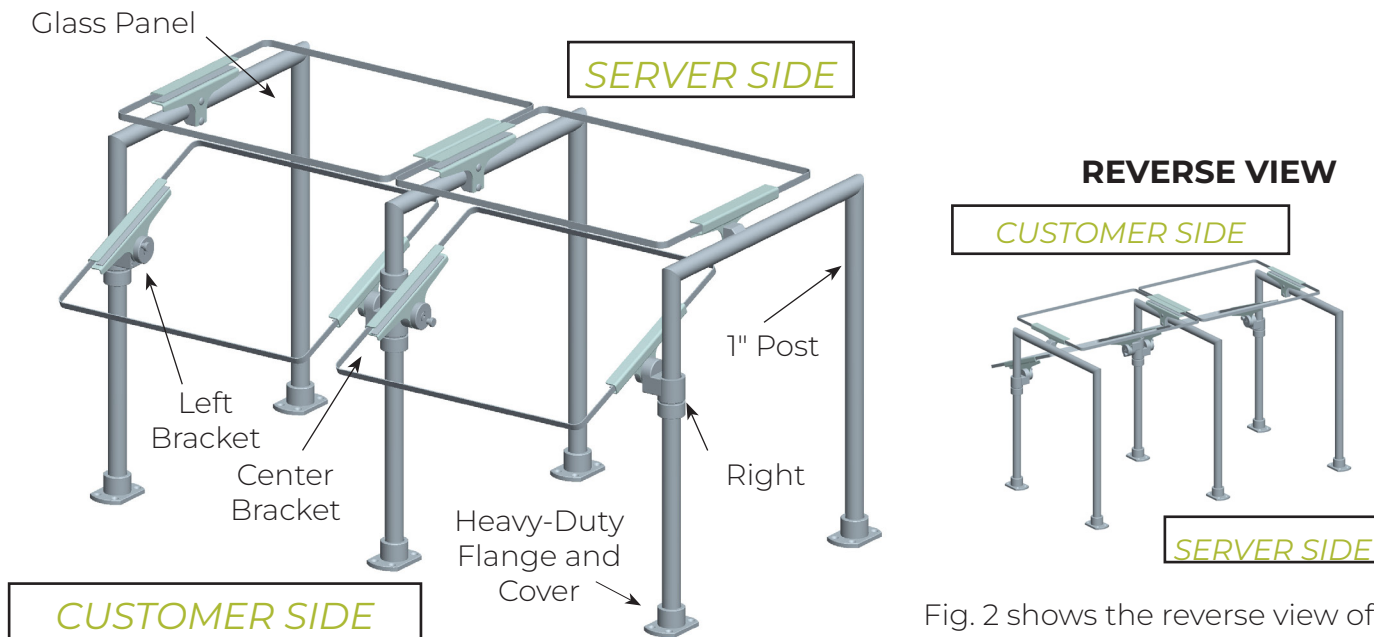


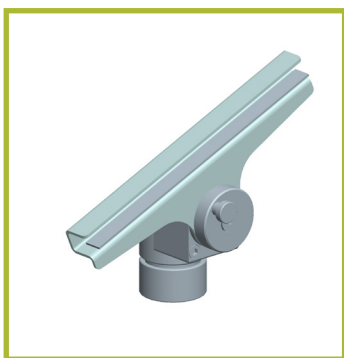
Fig. 1 shows a two-panel DECO-953.

Fig. 2 shows the reverse view of a DECO-953.

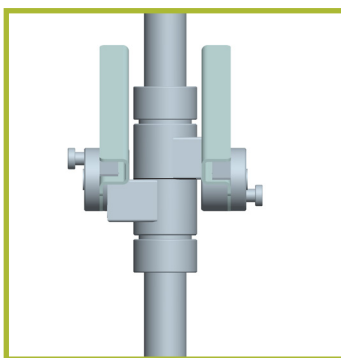
DECO BRACKETS

There is no left or right DECO bracket. By placing what we will refer to as the right bracket upside down you can create a left bracket.

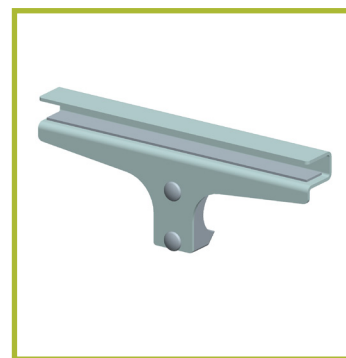
To complete a center bracket setup you will need two full bracket assemblies. One will be upside down.



Full Bracket Assembly



Center Bracket Configuration

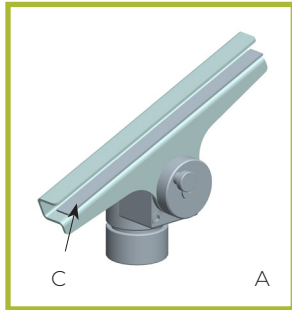


Stationary Bracket Assembly

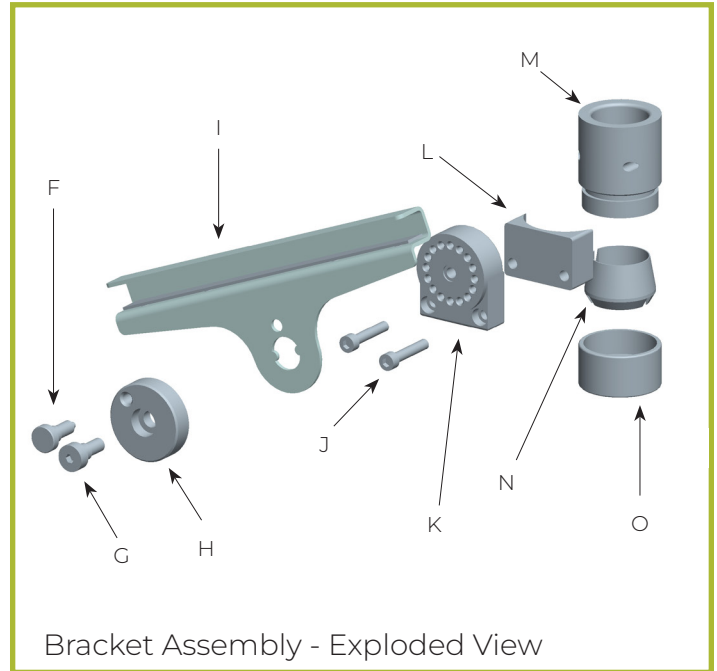
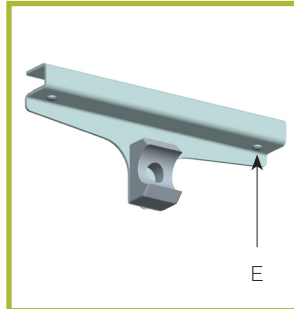
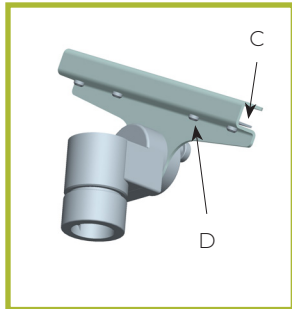
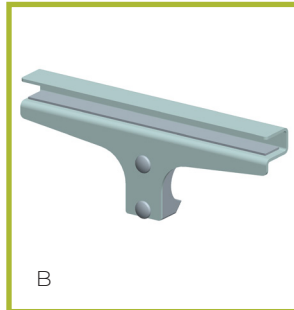
SEE EXPLODED VIEW AND PART NUMBERS ON PAGE 6.

DECO BRACKET ASSEMBLY AND PARTS

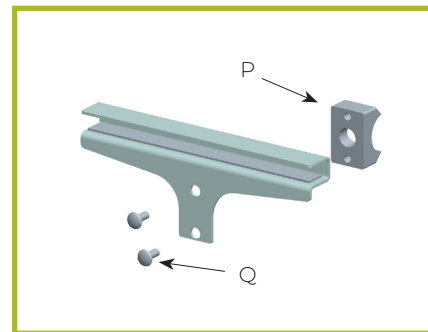
Full Bracket Assembly



Top Shelf Bracket



Bracket Assembly - Exploded View



Location	Part #	Part Name
A	Custom	Full Bracket Assembly
B	Custom	Stationary Bracket Assembly
C	16609K	Aluminum Pressure Plate
D	14393	1/4-20 Set Screw
E	14393	1/4-20 Set Screw
F	14361	Sprint Plunger
G	14326	Shoulder Bolt
H	14367	Pin Washer
I	Custom	Front Glass Bracket
J	14369	10-32 Cap Screw
K	14368	Adjusting Block
L	14364	Mounting Block
M	14366	Slide Collar
N	14372	Slip Joint Washer
O	14365	Slip Collar Nut
P	14761	Fixed Mounting Block
Q		10-32 1/2" Screw

In the event that your DECO product needs service and requires major repairs, contact your local installer for assistance.

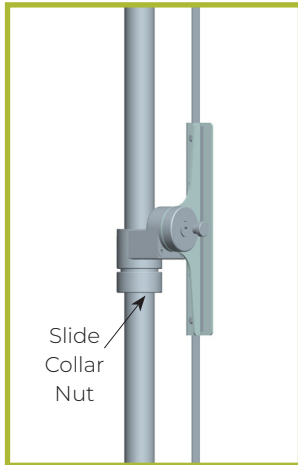
If you have questions about the products or need to replace minor parts you may contact BSI, LLC at 1.800.662.9595.

* When ordering you **MUST** designate finish/color.

GLASS AND BRACKET POSITION

The angle of the glass panels can be tilted forward or backwards in 22-1/2° increments. The panels (glass and bracket combination) can be raised or lowered by adjusting the brackets.

DECO 900 BRACKET ADJUSTMENT



DECO brackets allow you to adjust food shield height and angle of glass.

Referred to as the 'home' position, bracket and glass will be in vertical position.

With the assistance from a second person, take the following steps to adjust your food shield.

Illustration #1: Bracket and glass in 'Home' position.

1. To raise or lower the bracket, loosen the Slide Collar Nut. Slide to new position and tighten. (See Illustration #1)
2. To adjust angle of the glass, pull out the Spring Plunger and then adjust the glass angle to desired location. Replace the Spring Plunger back in the Pin Washer. (See Illustration #2)

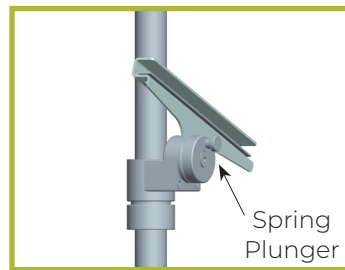


Illustration #2

CLEANING INSTRUCTIONS

Cleaning your new DECO product is key to its long life.

BSI recommends the following for keeping your product clean:

- Wipe the surface with a clean, damp cloth to remove fingerprints, dust, etc.
- Spray with a light coating of glass cleaner to remove grease or other dirt. Use a non-ammonia cleaner.
- Do not polish food shield with any brass polish. Your food shield has a durable finish and will maintain its finish for years if well maintained. (Polishing the finish with a polishing agent of any kind will destroy the coating.)
- Do not scrub the surface with any abrasive substance such as steel wool, pot scrubbers, Ajax cleanser, Comet or similar products, as it will remove the protective coating.
- If unit is fitted with a stealth warmer, don't clean the glass or housing fixtures when warmer is hot.

Cleaning when over head warmer is hot can cause staining or damage to food warmer finish.



GLASS LIMITATIONS

Deco food shield systems that are equipped with a shelf are not intended to withstand heavy weights. Glass shelves can certainly hold small display items.

RECOMMENDATIONS

Do not exceed **75lbs.** total weight of all display items across a three-foot panel of 3/8" thick glass.

TESTING PARAMETERS

Food Shield: DECO-901
(glass panel positioned at 90° to post)

Posts & Brackets: Brushed Aluminum
Glass: 36" x 14" (3/8" thick)
Mounting: Above Counter
Time: 24 hours

DECO-902 ASSEMBLY INSTRUCTIONS

1. Base legs, stabilier bar and two posts ship welded. Glass and two brackets will be wrapped seperately.
2. If glass is seperate from brackets, loosen set screws (Fig. 1) from bracket and slide glass panel into place. Tighten screws.
3. Slide the brackets onto the left and right post. At level height tighten bracket for secure hold.
4. Adjust glass angle and height as needed.

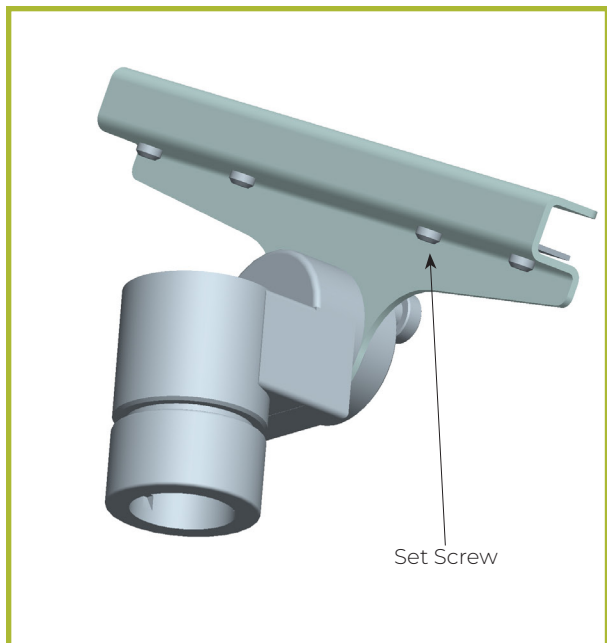
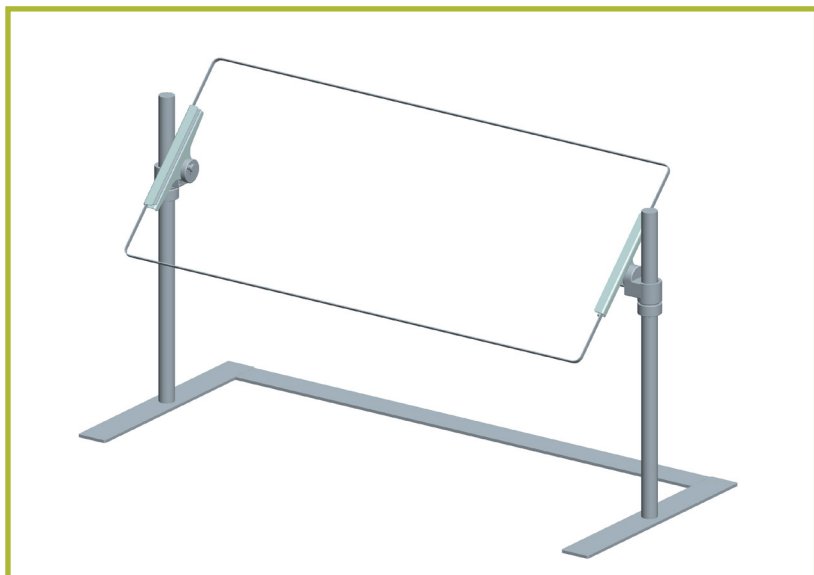
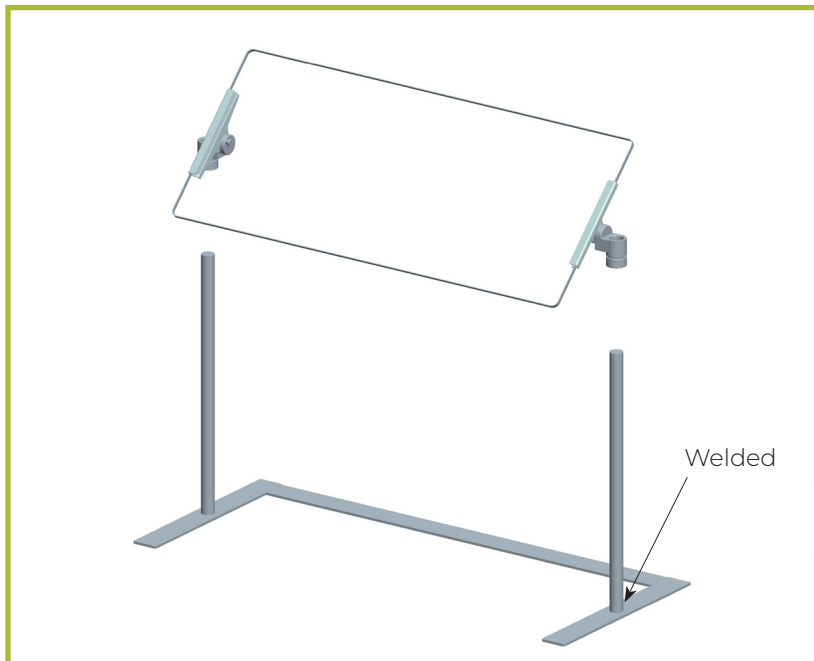
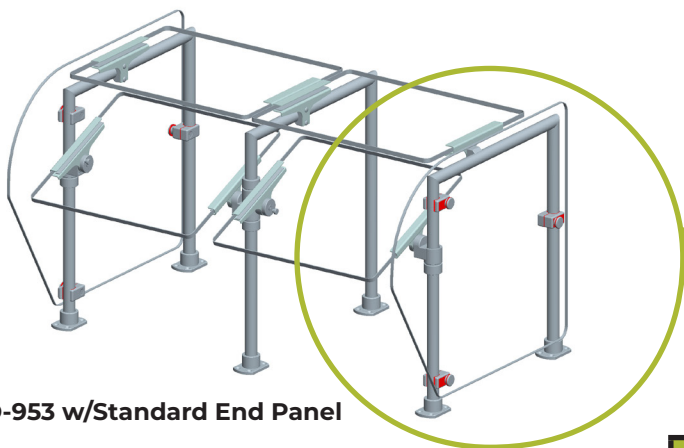


Figure 1

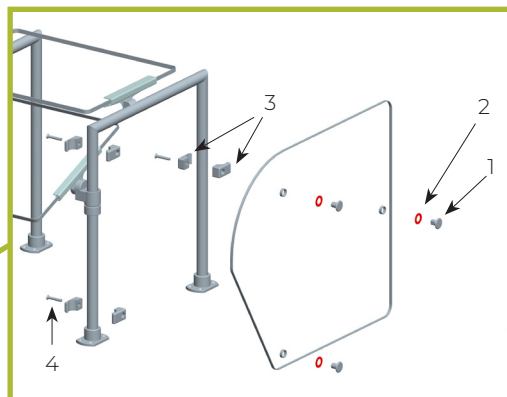


NSF REQUIRED END PANELS FOR DECO GUARDS

To meet NSF guidelines, end panels are included on all BSI quotations unless specifically excluded.



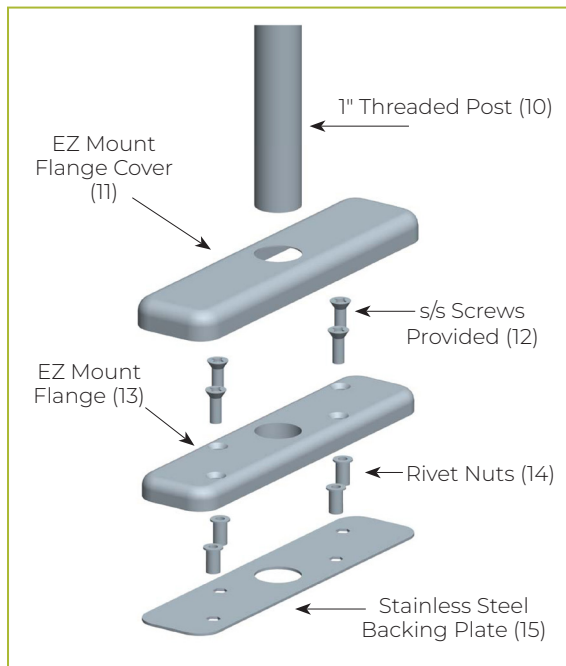
DECO-953 w/Standard End Panel



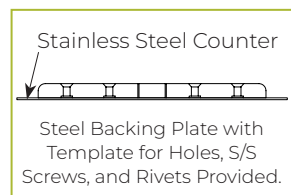
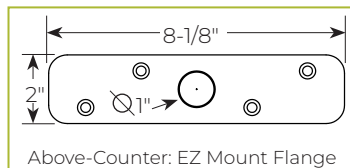
Location	Part #	Part Name
1	336	Decorative Nut
2	484	Clear Mylar Spacer
3	15756	End Panel Bracket Assembly
4		1/4-20 x 1-1/4" Machine Screw Flat Philips

ABOVE-COUNTER INSTALLATION FOR 1" DECO POSTS

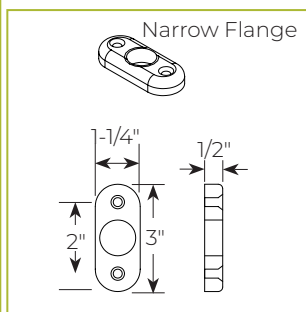
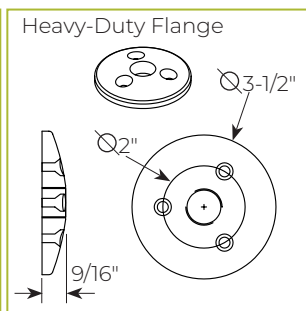
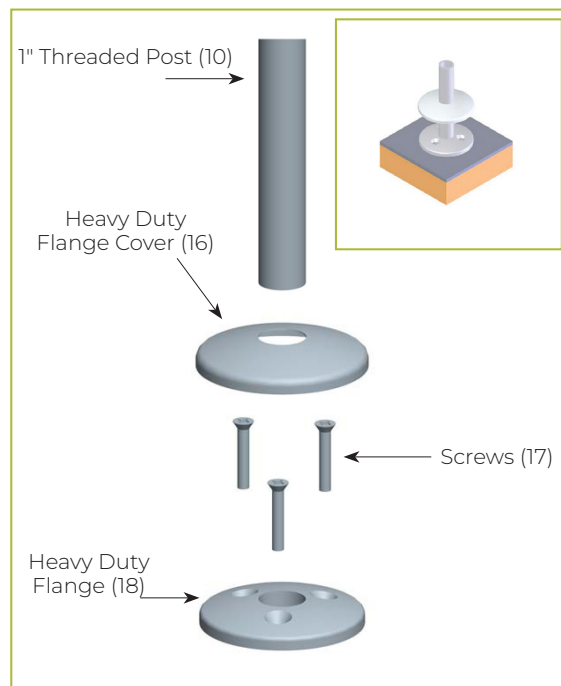
For Stainless Steel Counter
SSI: EZ Mount 2" x 8" Flange



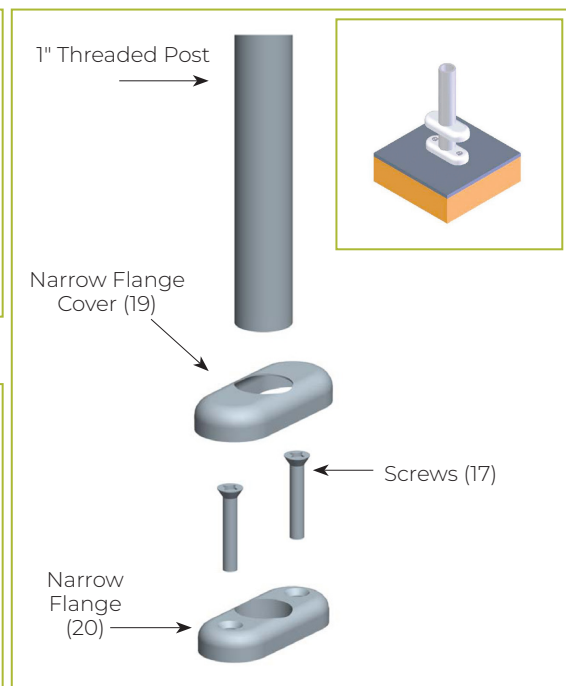
Location	Part #	Part Name
10	348	1" Threaded Post
11	485	EZ Mount Center Flange Cover
12		10-32 x 1" S/S Screw Flat Philips
13	470	EZ Mount Base Flange Centered
14		Rivet Nut
15	473	EZ Mount Flange Plate Centered
16	464	Heavy-Duty Flange Cover
17		#12 x 2 A Tapping Screw Flap Phillips
18	471	Heavy-Duty Flange
19	378	Narrow Flange Cover
20	465	Narrow Flange
21	442	Grommet



For Millwork Counter
MW1: Heavy Duty Flange

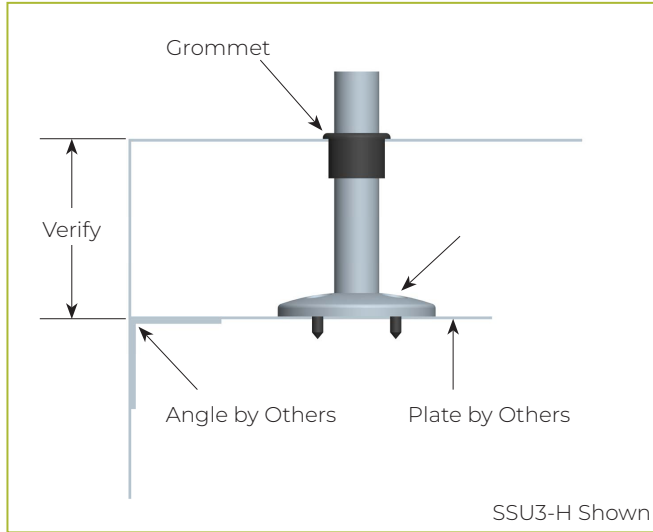


For Millwork Counter
MW2: Narrow Flange

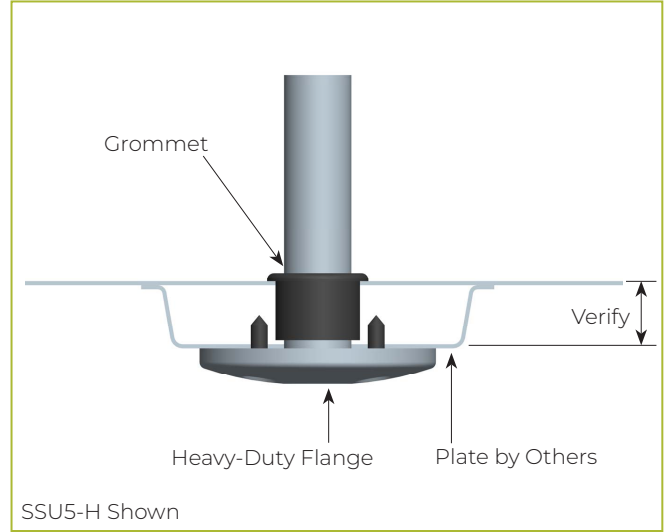


UNDER-COUNTER INSTALLATION FOR 1" DECO POSTS

For Stainless Steel Counter
 (requires under-counter reinforcement and access)
SSU3: Heavy Duty Flange (-H) or Narrow Flange (-N)

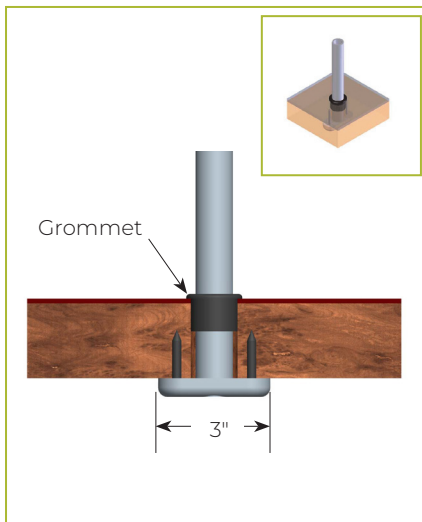


For Stainless Steel Counter
 (requires under-counter reinforcement and access)
SSU5: Heavy Duty Flange (-H) or Narrow Flange (-N)

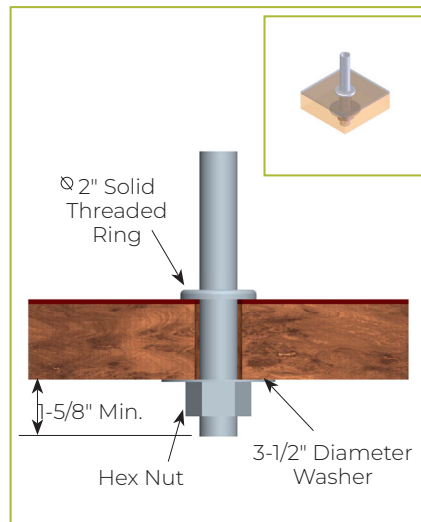


Verify Counter Thickness or Under-Counter Installation Depth in Inches

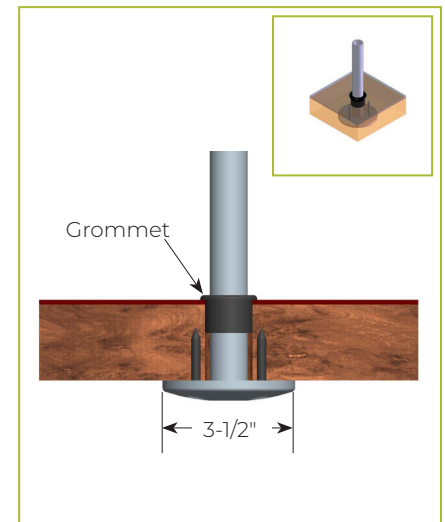
For Millwork Counter
MWU3: Narrow Flange



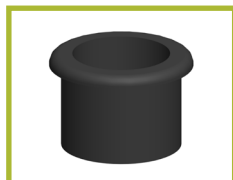
For Millwork Counter
MWU4: Compression Installation
 (not recommended for solid surfaces)



For Millwork Counter
MWU5: Heavy Duty Flange



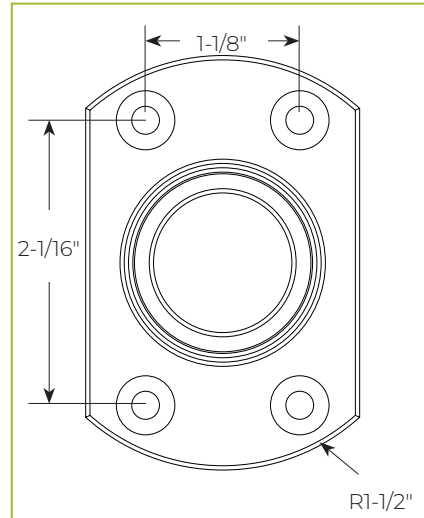
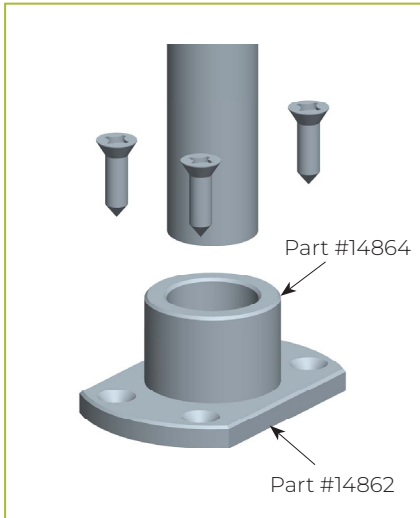
Verify Counter Thickness or Under-Counter Installation Depth in Inches



For below-counter installation a 1-1/4" diameter grommet is required. (21)

ABOVE-COUNTER INSTALLATION FOR 1" DECO POSTS

For Millwork or Stainless Steel Counter
Surface Installation 14864 & 14862:





OWNER'S MANUAL & WARRANTY

LIGHTS & WARMERS

LIGHTS & WARMERS

Food shield systems can be built with lights, warmers, or a combination of the two. Proper maintenance for these products is very important for safety. The following pages will detail the proper methods of keeping your product clean, how and where to exchange parts, and includes diagrams for proper wiring.

RECEIVING AND INSPECTING THE EQUIPMENT

Care should be taken during unloading and uncrating to avoid equipment damage.

1. Visually inspect the package, skid, or container exterior. Any damage should be noted and reported to the delivering carrier immediately.
2. Open and inspect contents for broken glass and verify that all items were received.
3. In the event that damage is discovered, notify the carrier and request freight damage forms.
4. Request an inspection by the shipping company of the damaged equipment. This should be done within 10 days of equipment receipt.
5. Retain all crating materials until an inspection has been made or waived.



ALL LIGHTS, WARMERS AND COMBO UNITS ARE SHIPPED USING ZIP TIES TO SECURE UNITS DURING TRANSIT. AFTER INSTALLATION, CAREFULLY REMOVE ALL ZIP TIES.

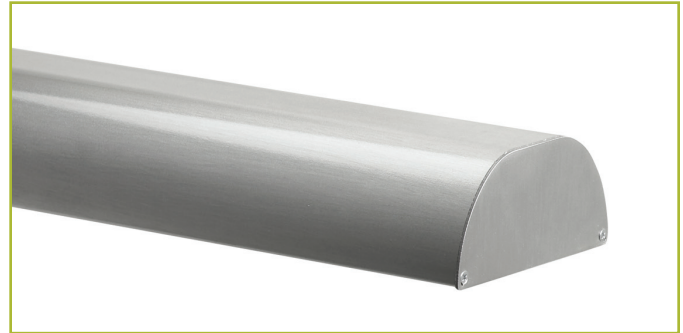


Lights and warmers must be installed in accordance with the applicable installation code by a person familiar with the product's construction, operation, and potential hazards involved.

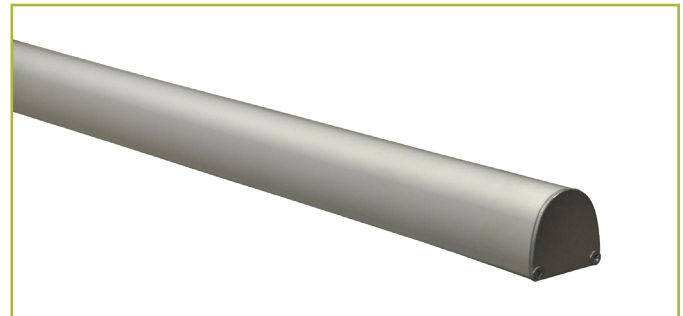
All light and warmer models are certified by NSF.



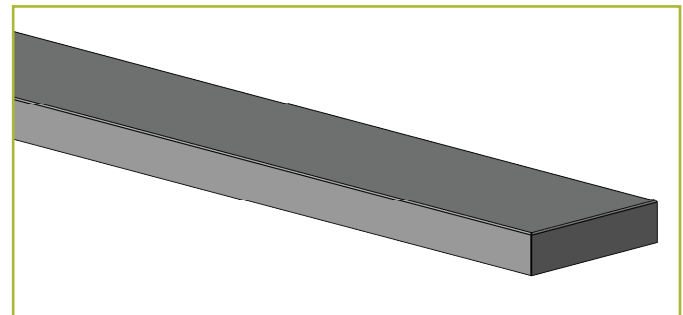
MODELS



Stealth Warmer & Light Combo Model 705
Stealth Warmer Model 790



Slimline Light Model 2580



Stealth Heat/Light/Heat Combo Model 500

CLEANING INSTRUCTIONS

Once your food guard has been properly installed and you have removed all zip ties, it will be important to keep your light, warmer, or combo unit clean to prolong the life of the product.

BSI recommends the following for keeping your product clean:

- Be sure to turn the power off before cleaning. Wait until Stealth warmer is cool. **Cleaning when the warmer is hot can cause staining or damage to food warmer finish.**
- Wipe the surface with a clean, damp cloth to remove fingerprints, dust, etc.
- Spray with a light coating of glass cleaner to remove grease or other dirt. Use a non-ammonia cleaner.
- Be sure not to spray any cleaning product directly into the bulbs, fixtures, or heating elements.

IDENTIFYING YOUR PRODUCT

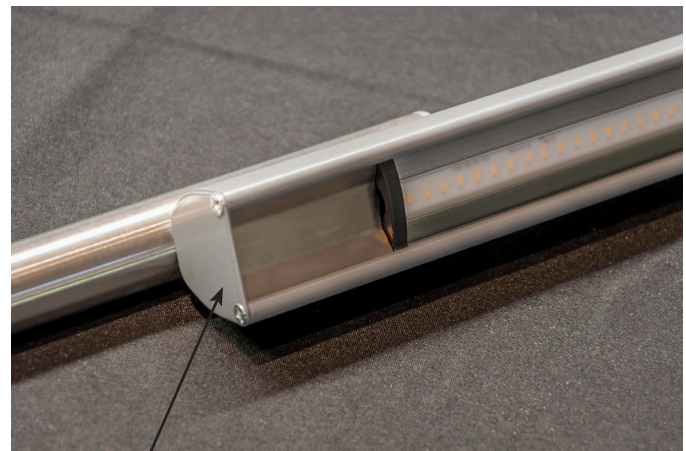
Each BSI light, warmer, or combo unit contains an identification sticker. This sticker provides the customer with the following information:

- Serial Number
- Model Number
- Manufacture Date
- Electrical Information



CHANGING THE LED BULB

- Turn off power to all lights and warmers.
- Carefully unscrew the end plate and slide out the entire LED light.
- If multiple lights are connected to each other, carefully disconnect serial connector or power connector.
- Once dead light bulb is removed, replace with new LED light. Carefully reconnect the connector and slide in the light bar.
- Replace end cover and two screws.



End Plate

LED LIGHTS

Part #	Description
16289	Kelly LED:_12" _LED_Light_Bar
16290	Kelly LED:_18" _LED_Light_Bar
16292	Kelly LED:_36" _LED_Light_Bar
16505	Kelly LED:_48" _LED_Light_Bar
16293	Kelly LED:_10' _Power_Cord_w/o_Plug
16294	Kelly LED:_Serial_Connector
16295	Kelly LED:_6" Power_Connector

HEATING ELEMENTS

Part #	Description
492-18-BK	Element:_18"_120V_Heater_350W
492-24-BK	Element:_24"_120V_Heater_500W
492-30-BK	Element:_30"_120V_Heater_660W
492-36-BK	Element:_36"_120V_Heater_800W
492-42-BK	Element:_42"_120V_Heater_950W
492-48-BK	Element:_48"_120V_Heater_1100W
492-54-BK	Element:_54"_120V_Heater_1250W
492-60-BK	Element:_60"_120V_Heater_1400W
492-66-BK	Element:_66"_120V_Heater_1560W

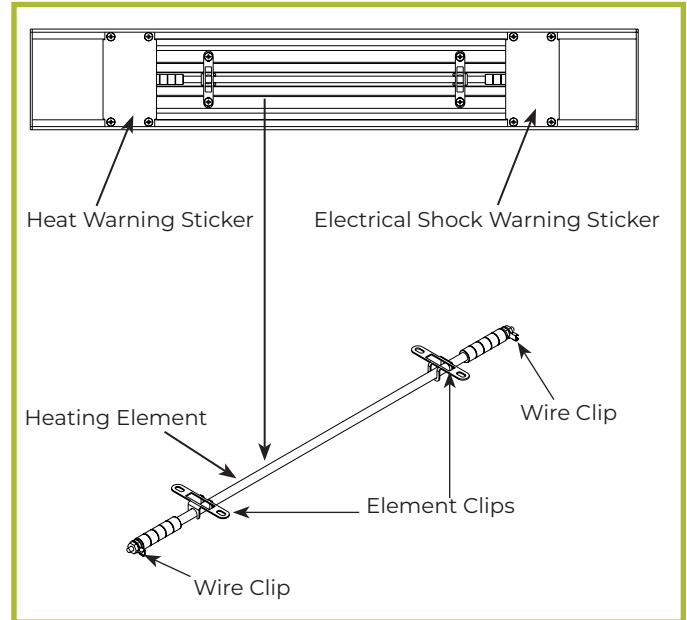
Part #	Description
496-24-BK	Element:_24"_208V_Heater_500W
496-30-BK	Element:_30"_208V_Heater_660W
496-36-BK	Element:_36"_208V_Heater_800W
496-42-BK	Element:_42"_208V_Heater_950W
496-48-BK	Element:_48"_208V_Heater_1100W
496-54-BK	Element:_54"_208V_Heater_1250W
496-60-BK	Element:_60"_208V_Heater_1400W
496-66-BK	Element:_66"_208V_Heater_1560W

240V Heat Elements are a special order item. Contact BSI at 1.800.662.9595 to order.

REPLACING THE TUBULAR HEATING ELEMENTS

On all three Stealth warmer units, the tubular heating element can burn out — similar to a light bulb.

Replacement should be done by a professional service technician. If you have additional questions, contact BSI at 1.800.662.9595.



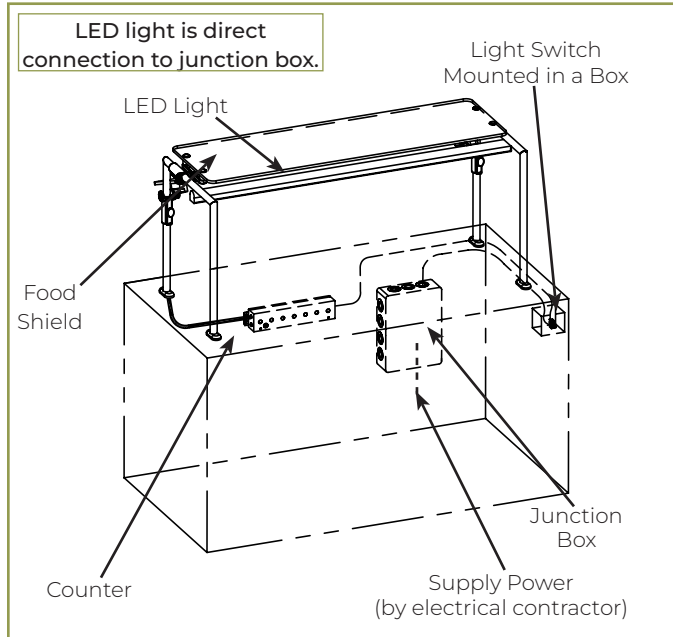
PARTS & SERVICE

In the event your lights or warmers require major repairs, contact your local installer for assistance.

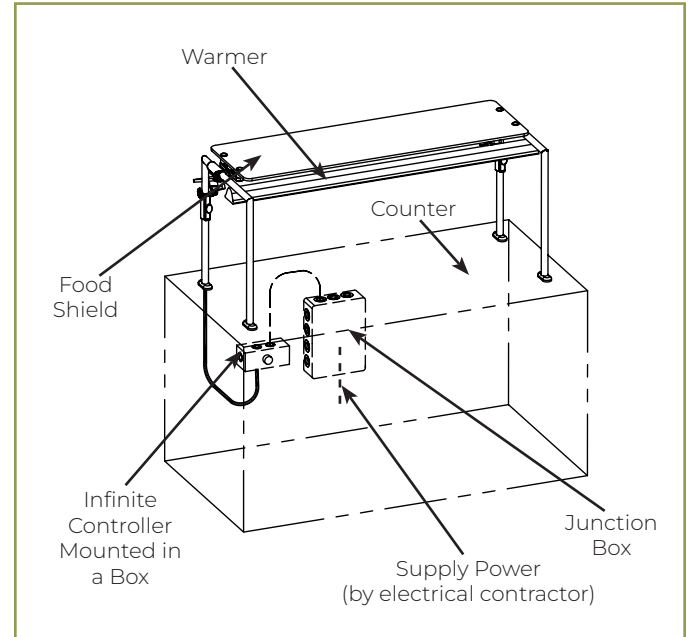
If you have product questions or need minor replacement parts, contact BSI at 1.800.662.9595.

WIRING INSTALLATIONS

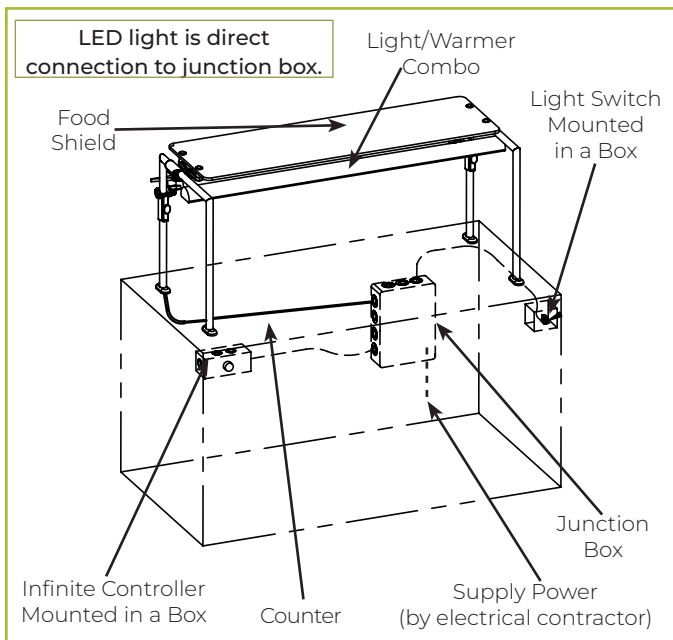
Slimline 2580 LED Light



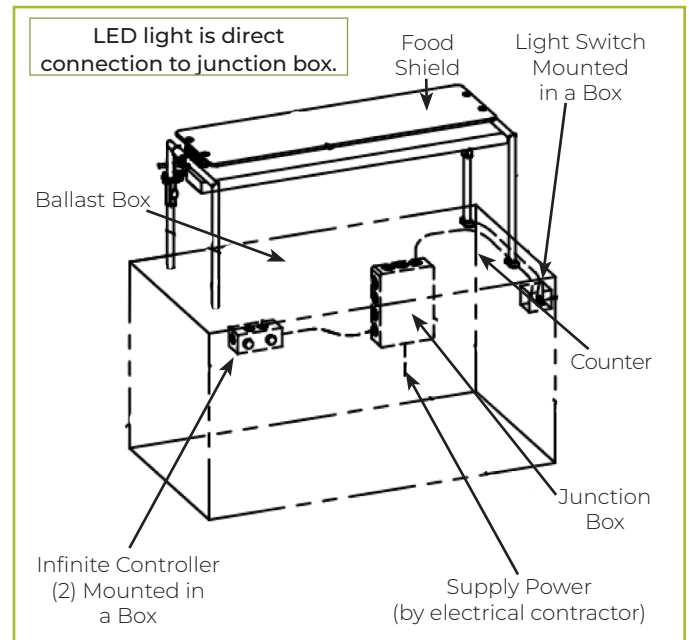
Stealth 790 Warmer



Stealth 705 LED Light & Warmer Combo



Stealth 500 LED Heat/Light/Heat Combo

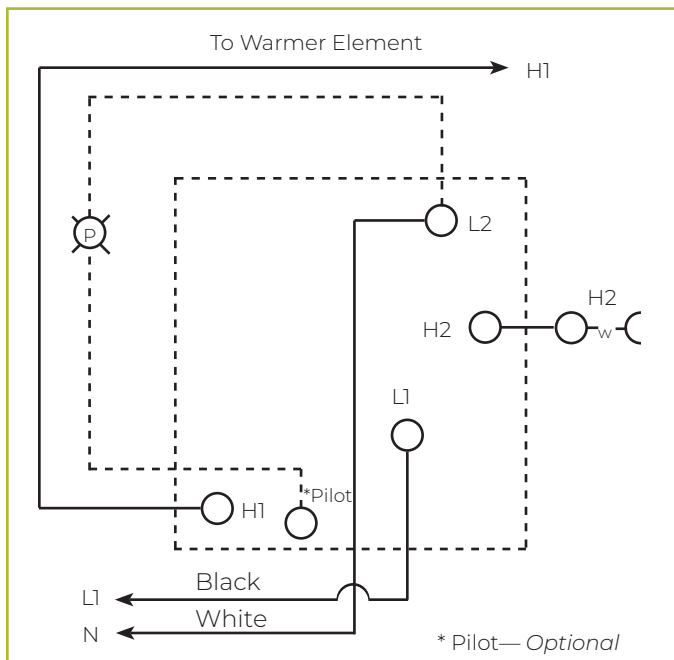


INSTALLATION INFORMATION

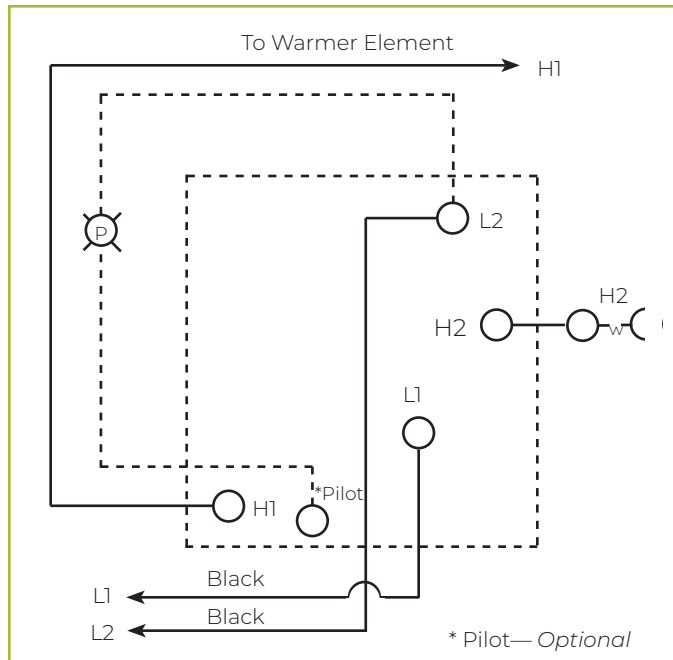
- All wiring should be performed by a certified technician.
- Wires are routed through wire chase/support legs per approved shop drawings.
- Mount the infinite controllers near the wire chase/support leg.
- The infinite controllers, light switch, and six feet of conduit/wiring exiting support legs are provided with all BSI lights & warmers.

WIRING DIAGRAMS

Remote Infinite Control for Stealth Warmer/Combo Units

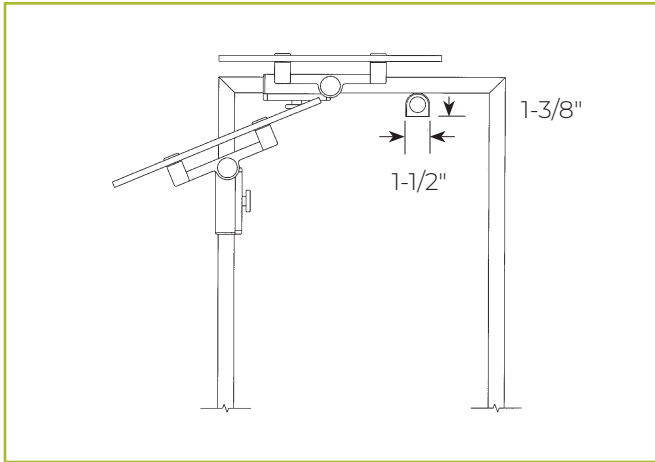


Infinite Switch (120V) - Part #581

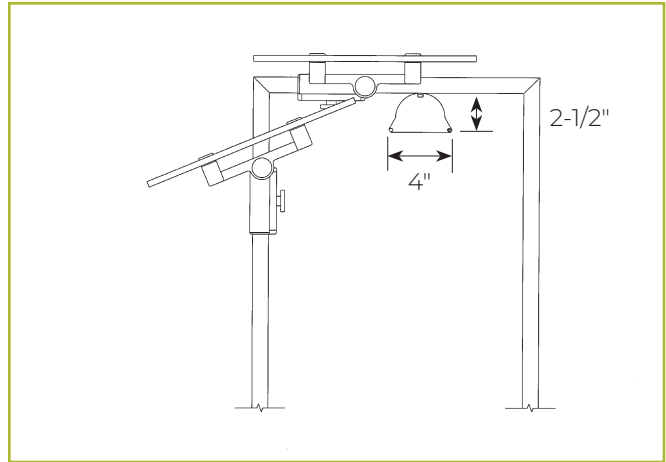


Infinite Switch (208V/240V) - Part #582

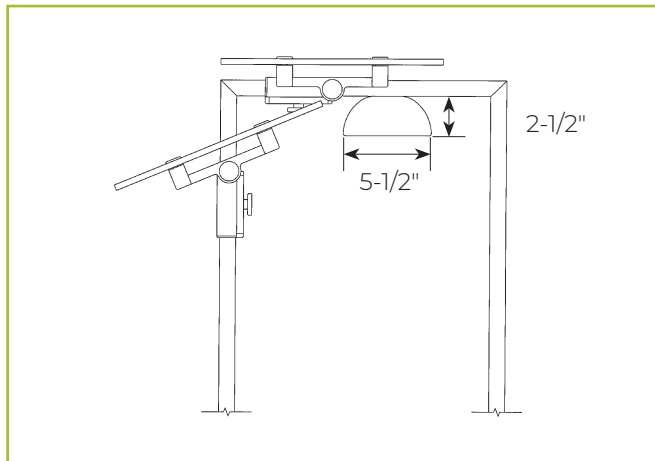
SAMPLE ZGUARD® LIGHT/WARMER LAYOUTS BASED ON A ZG9930 CONFIGURATION



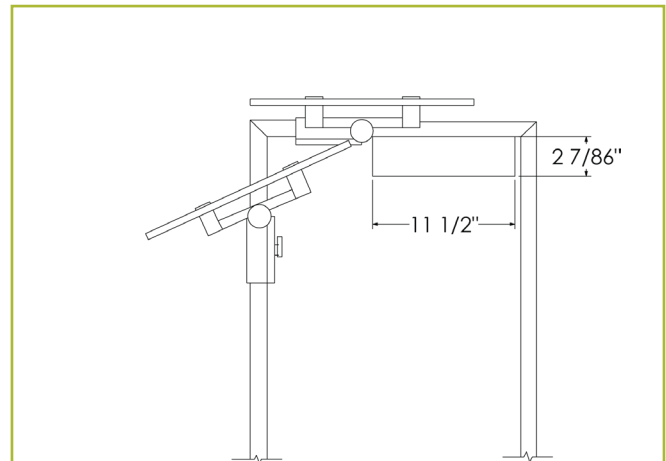
ZG9930 with Stealth 2580 Slimline Light



ZG9930 with Stealth 790 Warmer



ZG9930 with Stealth 705 Light/Warmer Combo



ZG9930 with Stealth 500 Heat/Light/Heat Combo

BSI, LLC WARRANTY

BSI, LLC warrants its products to be free of material and workmanship defects under normal use from the date of original purchase and for the applicable warranty periods set forth below. BSI, LLC's warranty extends only to original purchasers acquiring new products purchased in the United States directly from BSI, LLC, its authorized dealers, or other companies specifically authorized by BSI, LLC to act as resellers of its products.

DECO 900 SERIES

BSI, LLC warrants the DECO 900 guards against material and workmanship defects for a period of two years from invoice date. This excludes post-installation glass chipping or breakage that can be explained as "standard wear and tear."

STEALTH WARMERS

BSI, LLC warrants the Stealth housing and warming element against material and workmanship defects for a period of two years from invoice date.

SLIMLINE LED LIGHT

The Slimline LED light warranty covers the ballast for material and workmanship for a period of two years from invoice date. The LED bulb itself is not covered under warranty.

THERE ARE NO WARRANTIES EXCEPT AS STATED ABOVE, WHETHER EXPRESSED OR IMPLIED, INCLUDING, BUT NOT LIMITED TO, ANY WARRANTY OF MERCHANTABILITY OR FITNESS FOR A PARTICULAR PURPOSE. Warranties do not apply to products that have been altered in any way or to products subjected to misuse, abuse, neglect, accident, or damage in transit. Warranty is void if products are used, held, or stored in an unsupervised environment. BSI, LLC's liability shall be limited to product repair or replacement, or refund of purchase price issued at the discretion of BSI, LLC. BSI, LLC will not be liable, under any circumstances, for incidental or consequential damages (including, without limitation, to lost profits) arising in connection with the sale, use, inability to use, repair, or replacement of BSI, LLC's products. The liability of BSI, LLC arising from any cause shall not exceed the price paid for the products.

Any breach claim of the foregoing warranties shall be deemed waived unless submitted to BSI, LLC in writing within 30 days of alleged defect discovery date or by reasonable inspection should have been discovered. Merchandise must be returned to the BSI, LLC factory, freight prepaid, and will not be accepted unless a prior Return Merchandise Authorization (RMA) has been issued by BSI, LLC. A copy of the original invoice must accompany the returned merchandise to verify the original purchase date and warranty entitlement. Any cause of action for breach of the foregoing warranties shall be deemed waived unless brought within one year of claim submission.